

(864) 877-9119  
 Fax# (864) 877-9194  
 Web - www.bccdoors.com

**Rush Order**  
 **Quote Only**

NOTE: This will be considered an order unless marked as quote!

**Company Name** \_\_\_\_\_ **ID#** \_\_\_\_\_ **Ordered By** \_\_\_\_\_

**Phone** (\_\_\_\_) \_\_\_\_\_ - \_\_\_\_\_ **Date** \_\_\_\_\_ **P.O.#** \_\_\_\_\_ **Page** \_\_\_\_ **of** \_\_\_\_

**MDF**     **MDF w/ Melamine Back** (White unless specified)  
**Melamine Color:** \_\_\_\_\_  
 **3D Laminate Color:** \_\_\_\_\_ - \_\_\_\_\_

**Valances**

- Flat  
 Arch  
 Scalloped

	Qty	Width	Height
1)			
2)			
3)			

Square edges unless otherwise specified: \_\_\_\_\_

**Moldings**

(Sold only in 8 Ft Lengths)  
 Qty Below is for each 8 Ft Length

- 2 5/8" Crown** Qty \_\_\_\_\_  
 **3 5/8" Crown** Qty \_\_\_\_\_  
 **4 5/8" Crown** Qty \_\_\_\_\_

- 4" Top Mount** Qty \_\_\_\_\_  
 **Shaker Top Mount** Qty \_\_\_\_\_  
 **Cove Crown** Qty \_\_\_\_\_

- 2 1/2" Traditional Base** Qty \_\_\_\_\_  
 **4" Traditional Base** Qty \_\_\_\_\_  
 **1" Scribe** Qty \_\_\_\_\_

- Quarter Round** Qty \_\_\_\_\_  
 **Outside Corner** Qty \_\_\_\_\_

- 1 1/2" Double Beaded** Qty \_\_\_\_\_  
 **Inside Corner** Qty \_\_\_\_\_

**Bottle Racks (Sold in pairs, front and back, and priced per piece, square edges.)**

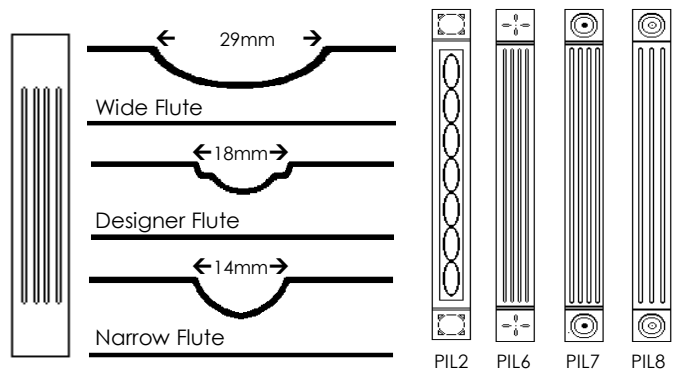
- 5 openings, minimum 15"w x 15"h  
 8 openings, minimum 21.5"h x 15"h  
 11 openings, minimum 28.5"w x 15"h

	Qty	Width	Height	# Openings
1)				
2)				
3)				

**Fluted Accent Pieces** (Specify Narrow, Designer or Wide, # of Flutes & Rail Size, ex. Narrow/3 Flutes/4" Btm Rail)

**Pilasters** - PIL2, PIL6, PIL7, & PIL8, specify 3" or 4" width

	Qty	Width	Height	Fluted Accent Piece Specifications or PIL Type
1)				
2)				
3)				



**3D Laminate for Refacing**

See Product Guide for Specific Details

- "Off the Roll"** - Order # of Linear Feet  
 **Peel 'n' Stick Back** - Order # of Sheets  
 **Phenolic Back** - Order # of Sheets

	Lin Ft / Sheets	3D Laminate Color
1)		
2)		

Notes: \_\_\_\_\_  
 \_\_\_\_\_